

40+ MILLION
SAFE & HAPPY FAMILIES
WORLDWIDE



**Boat
Gas Fittings**



Enjoy The Safety & Comfort of Safe Gas Consumption While Sailing



CONTENT

01	About Us
02	Gas Connection Solution for Boats
03	Gazview
04	Regulators
05	Accessories
06	GasOkay



DENMARK

Welcome to Integrated Gas Technologies

IGT is one of the Global leaders in the market for regulators and hoses for butane and propane cylinders.

IGT Headquartered in Denmark has two factories, NBSX located in Ningbo, China since 2004 and IGCT located in Hyderabad, India since 2016. IGT employs 245 people.

IGT uses the best raw materials such as zamac3, brass, steel and rubber for all components. In addition, we perform 100% quality control on both assembly and assembled finished products.

All LPG regulators come with a 5 year product warranty and \$ 5 million product liability insurance.

The factories have been audited and approved among others by international gas appliance companies and meet the high standards of these customer segments. Both factories are ISO9001 certified and in 2014 the NBSX factory was also BSCI certified (www.bsci-int.org), a social enterprise initiative aimed at ensuring compliance with the European Code of Conduct on Social Responsibility.

IGT aligns its production with the 17 United Nations Sustainable Development Goals to achieve a better and more sustainable future for all of us.



02

Gas Connection Solution for Boats

Single gas cylinder supplying line of the recreational Boat.

Application example:

The low pressure regulator is connected directly to the gas cylinder. The medium pressure hose assembly creates the connection to the boat supply line. The inbuilt manual excess flow valve allows use of gas while sailing. According to EN1949 / ISO 10239.

IGT GasOkay unit that can be installed inside the boat next to your cooking stove and from there leak test can be done regularly by pushing the unit.

In several countries such leak tester is a must to obtain insurance coverage for the boat.

IGT Marine Regulators meets EN16129/M. They pass 500 hours corrosion test and all springs internally are stainless steel. Estimated life in Marine environment is 6 years.

REGULATOR

For connection to gas cylinders to regulate the pressure to the nominal pressure of the gas equipment.

HOSE

Medium pressure hose assembly rubber, to connect fittings, consumer equipment and piping.

VALVE

Distributor valve, quick acting valve, only completely open or closed setting.

GAS OUT TAKE BOX

to connect additional gas equipment, such as BBQ in the boat cockpit

GAZ VIEW

Gas weight for gas cylinders with display + bluetooth remote transmission of the measurement and signalling data to a smartphone or tablet, by the Gaz View app.

Schematic Installation Setup

REGULATOR

Reference A235isp-PM PRV



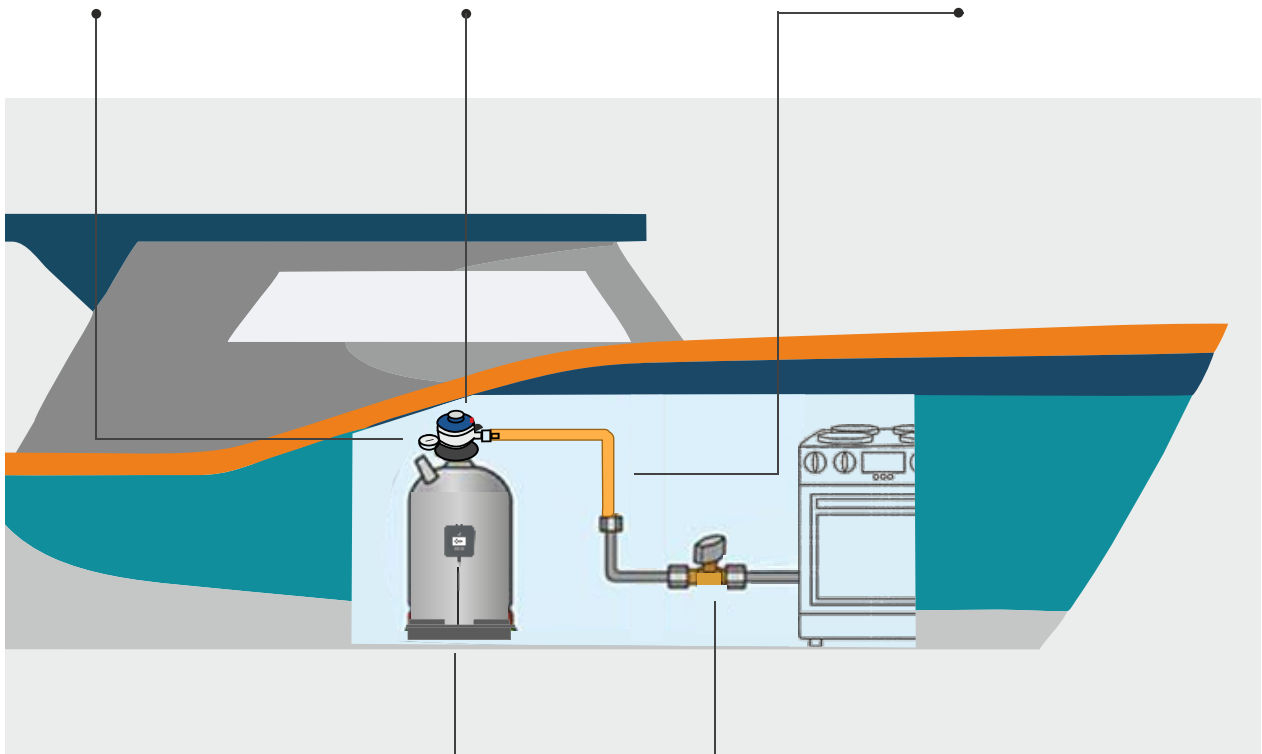
REGULATOR

Reference A511isp-PM



HOSE

Reference S006-008



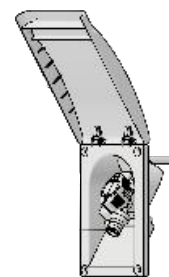
GAZ VIEW

Reference H700-500



VALVE

Reference AA900-152-B



GAS OUT TAKE BOX

Reference GB750-001

03 Gazview

GazView by weight devices primarily for control & monitoring of gas consumption in gas cylinders. Secondly for control of cooking thermometer, for outdoor gas bbq or indoor ovens.



Water Tight Design , Corrosion Free Materials Impact Resistant

Precise: Accurately measures the filling level of your cylinder as a percentage and in kg and tells you estimated time to being empty.

Convenient: Easy to use and convenient to operate with Gazview App. Display for offline use.

Practical: It is easy to attach below the cylinder and remove when you replace the cylinder.

Works with all common European steel, Aluminum and composite gas cylinders.

Technical data

Weight (incl battery): 300g
Dimension: 250mm diameter
Power supply: 3V/2x1.5V alkaline AAA battery
Power consumption: max. 70mA
Operating temperature: -20°C to +50°C
Bluetooth: Class 2
Gas type: Propane/butane

Bluetooth - FCC approved for USA and EU.



04

Regulators

Complys to EN16129/D&M



Convenient: The click on inlet allows easy mounting of regulator to gas cylinder. Manometer for gas leak test and indication of low gas level in cylinder on the visual display.

Versatile: Can also be used in commercial vehicles. National rules may apply.

Application: For use in Boats, meet EN16129 appendix M & ISO10239. Installation shall be made to EN1949. Professional gas leak test as per EN1949 - recommended. DVGW arbeitslatt G607. Leak test to be conducted though the test point M5 on the ball valve. Observe hose length of Maximum 400 mm to cope tubing.

Reference: A235isp-PM PRV

Technical data

Gas type: LPG
Inlet: 35 mm
Outlet: 1/4"LH - M20x1.5
Capacity: 1.5kg/h
Outlet pressure options: 30mbar
With manometer for gas level/gas leak indication.
With Manual Excess flow.
360degree rotating manometer.
Regulator Size: Diameter 63mm

Inlets Available

35 mm - DK-NO-FI-ES-PT-IE-EE-CY-BG
*BG - Special spindle needed
16mm - TR



Convenient: See the operating status of the gas cylinders (empty/full) on the visual display

Versatile: Can also be used in commercial vehicles. National rules may apply.

Application: For use in Boats, meet EN16129 appendix M & ISO10239. Installation shall be made to EN1949. Professional gas leak test as per EN1949 - recommended. DVGW arbeitslatt G607. Leak test to be conducted though the test point M5 on the ball valve. Observe hose length of Maximum 400 mm to cope tubing.

Reference: A311iep- PM PRV

Technical data

Gas type: LPG
Inlet: Numerous possible types of inlet
Outlet: 1/4"LH - M20x1.5
Capacity: 1.5kg/h
Outlet pressure options: 30mbar
With manometer for gas level/gas leak indication. With Manual Excess flow.
360degree rotating manometer.
Regulator Size: Diameter 63mm

Inlets Available

G1 - IT-GR
G2 - FR-CH-LV-LT-CZ-SK-SL-H-BE
G4 - HU-TR
G5 - NL
G7 - UK
G8 - UK
G10 - BE-IS-SE
G12 - PL-DE-AT-CH-NL

Regulators



Convenient: The Compact inlet allows easy mounting of regulator to gas cylinder. Manometer for gas leak test and indication of low gas level in cylinder on a visual display.

Versatile: Can also be used in commercial vehicles.

Application: For use in Boats, meet EN16129 appendix M & ISO10239. Installation shall be made to EN1949. Professional gas leak test as per EN1949 - recommended. DVGW arbeitslatt G607. Leak test to be conducted though the test point M5 on the ball valve. Observe hose length of Maximum 400 mm to cope tubing.

Reference: A100isp-PRV

Technical data

Gas type: LPG
Inlet options: 20/21/22/25.6/27mm
Outlet options: 1/4"LH - M20x1.5
Capacity 1.5kg/h
With manometer for gas level/gas leak indication.
With Manual Excess flow.
360degree rotating manometer.
Regulator Size: Diameterø63mm

Inlets Available

20mm - HU-PT-FR
21mm - DK-UK
22mm - MT-PT-IT
27mm - UK-BE-FR



Convenient: Complete Set

Reference: A235is-PM270 with hose and ball valve with test point M5.

Technical data

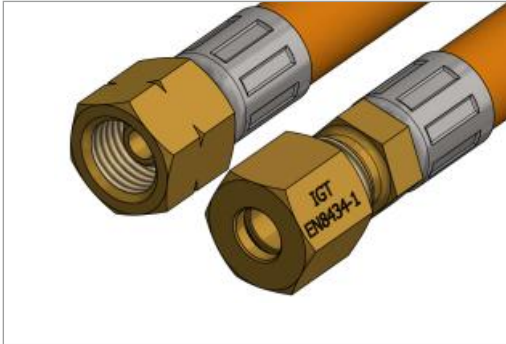
Gas type: propane/butane
Inlet: 35 mm
Outlet: 8mm/10mm/11mm
Capacity: 1.5 - 2.0 kg/h
With Excess flow
With safety on-off switch
With manometer for gas level/gas leak indication
360degree rotating manometer
Regulator Size: Diameterø63mm

Inlets Available

35mm - IE-DK-NO-FI-EE-CY-PT-ES
BG - Special spindle version mandatory

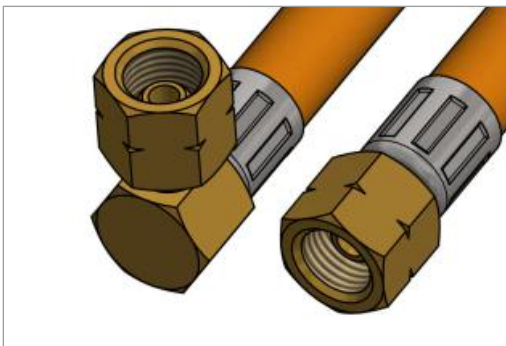
05

Accessories



Rubber Hose - Low Pressure Assembly

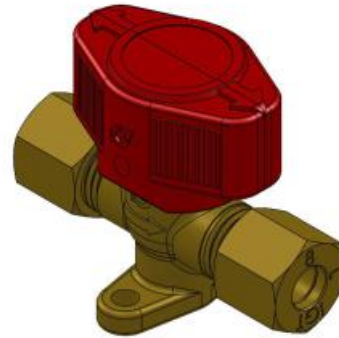
Entry G1/4"-LH nut
Exits compression fitting 8mm
Reference S006-008



Rubber Hose - Low Pressure Assembly

Entry G1/4"-LH nut -90 degree
Exits G1/4"- LH nut
Reference S006-054

For other hose combinations
see LPG accessory brochure



Quick Acting Valve

Valves and connections guarantee the safe and fault free operation of your gas system. They comply with all important safety requirements and ensure the connected gas appliances work perfectly and can be shut off.

Accessories for gas pressure regulation systems:

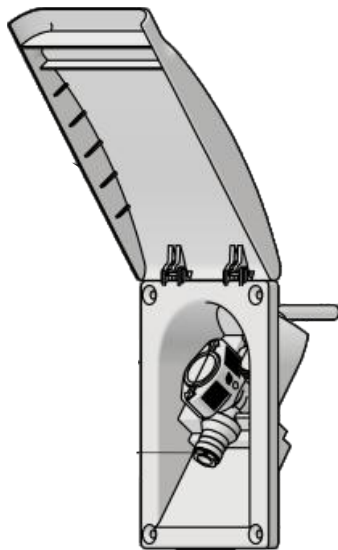
Quick acting valves: For shutting on/off gas lines.

Manifold valves: For the central connection of several gas applications. Heating - Stove - Fridge - Gas Outtake

Coupling valves: For connecting external appliances(e.g. gas barbecue).

Safe connection and attachment:
EN8434 Compression fittings.
Double O - Ring seal design for long life.
Option: Steel nut & sleeves for steel tubes

Accessories



Gas Outtake Box

Gas extraction for outdoor Gas use

A gas out take point on your boat or caravan enables you to conveniently connect external gas appliances such as a barbecue, cooker, patio heaters or lights.

To install the gas socket, you also need a gas pipe with 8 mm diameter, and to extract gas you need a hose with a plug-in quick coupling. The socket is suitable for gas appliances with an operating pressure of 30 mbar.

Click cover - closing soothly

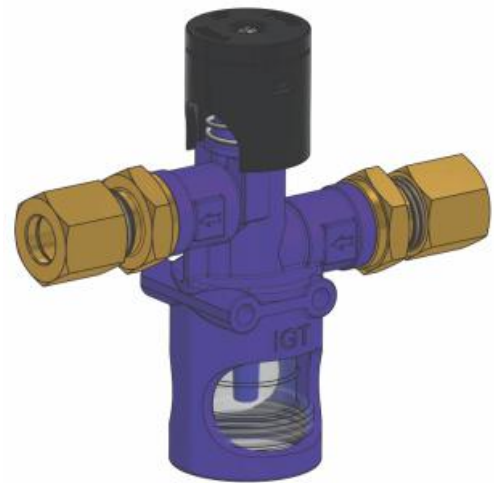
Quick acting valve with quick coupling - Only open for gas flow when gas hose is connected.

Exchangeable cover - Wind stable - Various colors.

Optimized design for valve on/off operation and connection of gas hose.

Standard Colors:

- White – RAL9010
- Fiat white – Fiat210
- Light grey – NCS3000
- Charcoal grey – NCS7000



Gas Leak Tester

The gas leak tester is used for mobile homes, leisure housing , caravan and boats where you have a combination of a LPG hose and 2- 15 meters of copper piping ending with a hose connecting to a gas appliance.

The leak tester monitors the gas tightness- a push on the black knob reveals any gas leaks down stream of the detector.

Nut entry 8mm compression

Exits 8mm compression

Reference A900-002

Other versions available.

06 GazOkay

Minimize your risk of gas incidents & accidents

Maximum gas safety is the main concern of all gas appliance users globally. LPG is a very safe fuel to consume, however we all get shocked when gas incidents or even accidents happen. The GazOkay® leak test device is a new easy way to manage your risk concerns.

Instant gas leak test

GazOkay® will test your entire gas supply line instantly. Just press the knob and look at the built-in transparent window filled with liquid. It is easy to visually detect any gas leakage indication. Lack of gas bubbles in the window indicate a gas-tight installation. Visible gas bubbles indicate a gas leakage.

Flexible installation

GazOkay® is easy to install. It can be mounted at the inlet of your gas appliance, right after the regulator, or anywhere in the pipeline in-between – wherever you find the most convenient place of installation. You can choose between an upright or downward positioning version of the GazOkay® unit, whichever fits best with your gas appliance location.

Fits different setups

GazOkay® works with all types of gas cylinders and regulators as well as piped gas from a central supply system. It comes in several variants to easily fit different setups. You can choose between threaded connections or hose nozzle/sleeve/or compression fittings for easy installation.



Scan QR Code
to watch video



Gas Okay
Standard Device



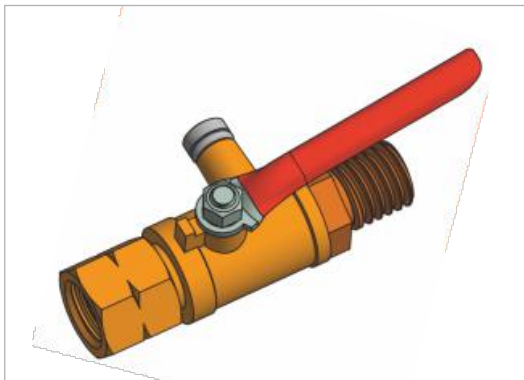
Accessory:
Diode Light-Lamp



With Aluminum
Wall-Table Bracket

Accessories

Ball Valve



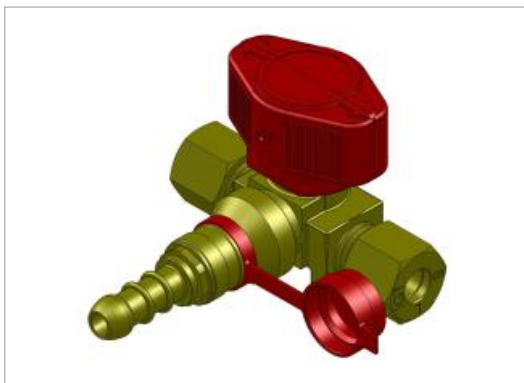
Nut entry G 1/4" nut
Exits G 1/4" female
Reference A900-V002

Needle Valve 90° angle



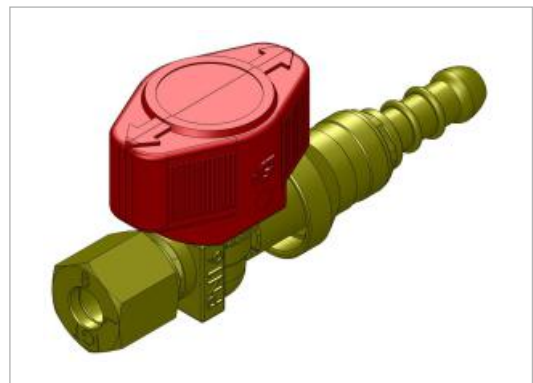
Nut entry M16x1,5 inlet
Exits G12
Reference A900-317

Compression to Quick acting valve



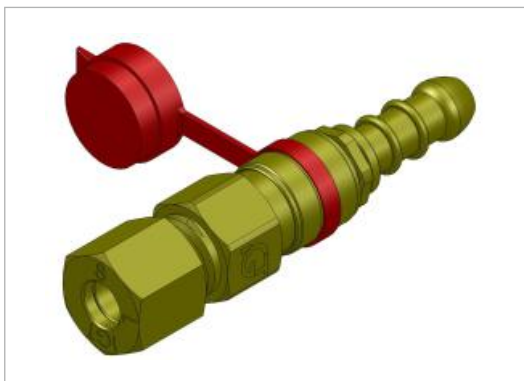
Nut entry 8mm compression
Exits Quick acting valve 3 way 8mm tube
Reference A900-240

Compression to Quick acting valve



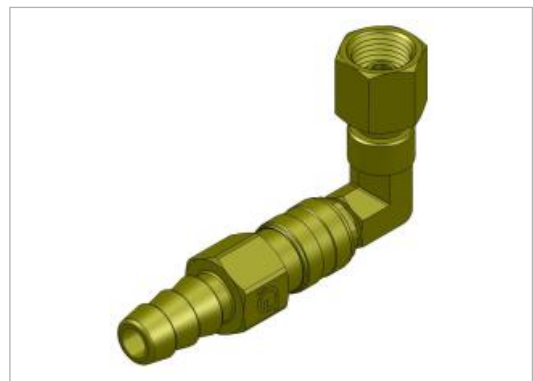
Nut entry 8mm compression
Exits Quick acting valve 8mm nozzle
Reference A900-226

Compression fitting to Quick coupling



Nut entry 8mm compression fitting
Exits Quick coupling 8mm nozzle
Reference A900-225

Nut to Quick coupling



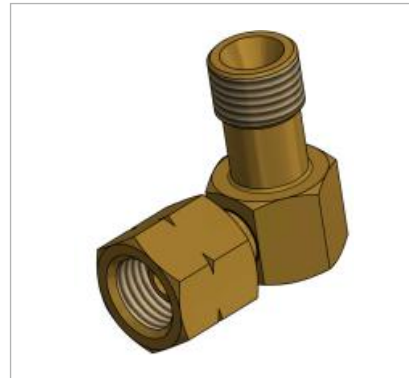
Nut entry G1/4" LH nut male
Exits 10mm nozzle female quick coupling
Reference A900-256

Adaptor G12



Nut entry G12 nut
Exits G12 male 90°
Reference A900-344

Hose adaptor



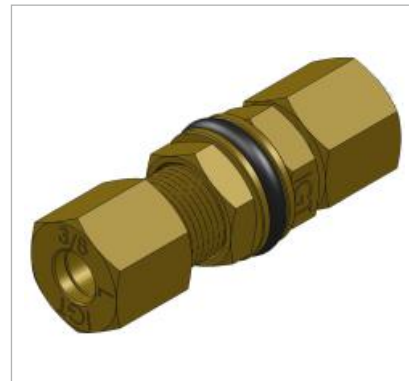
Nut entry G1/4" LH male angled 90°
Exits G1/4" LH female
Reference A900-141

Needle valve



Nut entry Needle valve Triple
Exits G1/4" LH
Reference A900-332

Compression fitting bulkhead



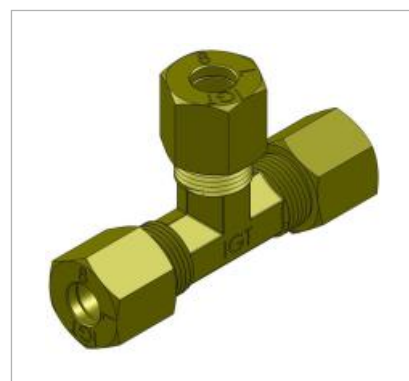
Nut entry Compression fitting 3/8"
Exits straight bulkhead EN8434
Reference A900-221

Compression fitting 90° angle bulkhead



Nut entry Compression fitting 8 mm
Exits angled 90° Bulkhead
Reference A900-169

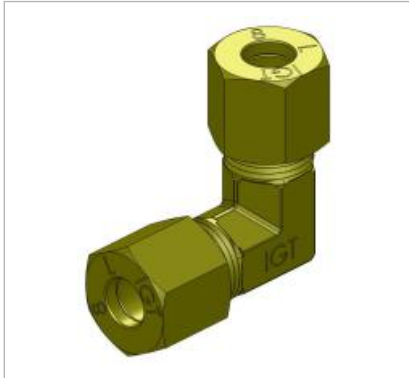
T-Compression fitting



Nut entry T-Compression fitting 8 mm
Exits 8mm
Reference A900-147

Accessories

Compression fitting 90° angle



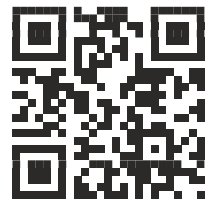
Nut entry Angled 90° compression fitting 8 mm
Exits 8 mm
Reference A900-146

Union Compression fitting



Nut entry Union 8 mm compression fitting
Reference A900-145

See LPG accessory brochure for the total line of fittings and valves.



WWW.IGT-LPG.COM



HEAD OFFICE IN DENMARK
INTEGRATED GAS TECHNOLOGIES
Gydevang 39-41 DK-3450 Allerød Denmark
Tel: 0045-4576 9921 | Fax: 0045-4576 9821
E: sales@igt-lpg.com | W: www.igt-lpg.com

FACTORY IN CHINA
NINGBO SHUAI XIAN REGULATOR CO. LTD
No 566, Jinshan Road, Zone C, Investment center
Jiangbei District, Ningbo Zhejiang, China
E: sales@igt-lpg.com | W: www.igt-lpg.com

FACTORY IN INDIA
INTEGRATED GAS CONTROLS TECHNOLOGIES PVT. LTD
Survey No.784, 14-59/3A,
Medchal Village, Near Ravalkole
"X" Road, Medchal Mandal
& Medchal - Makajgir District.
E: info@igt-lpg.in | W: www.igt-lpg.in

