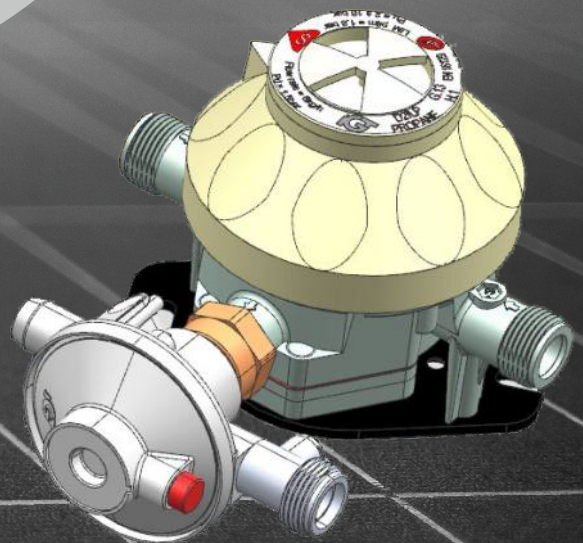


**40+ MILLION**  
**SAFE & HAPPY FAMILIES**  
WORLD WIDE

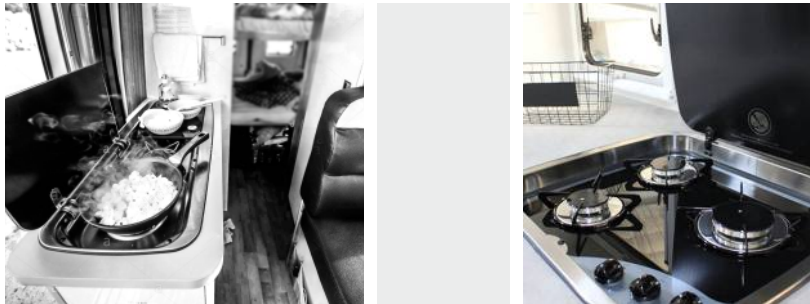


**Manual & Auto  
Changeover  
Regulators**



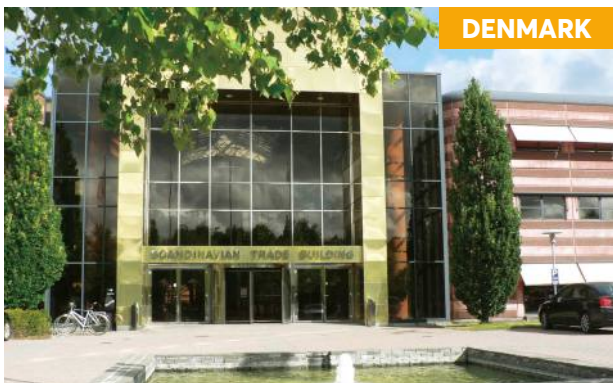
# AUTO CHANGEOVER REGULATOR

For Built-in Caravan Gas Appliances



## CONTENT

- 01 About Us
- 02 Caravan applications
- 03 Hoses assemblies
- 04 Accessories for 4 kg/h change over
- 05 Leisure and small professional applications
- 06 Manual change over valves



DENMARK

## Welcome to Integrated Gas Technologies

IGT is one of the Global leaders in the market for regulators and hoses for butane and propane cylinders.

IGT Headquartered in Denmark has two factories, NBSX located in Ningbo, China since 2004 and IGCT located in Hyderabad, India since 2016. IGT employs 245 people.

IGT uses the best raw materials such as zamac3, brass, steel and rubber for all components. In addition, we perform 100% quality control on both assembly and assembled finished products.

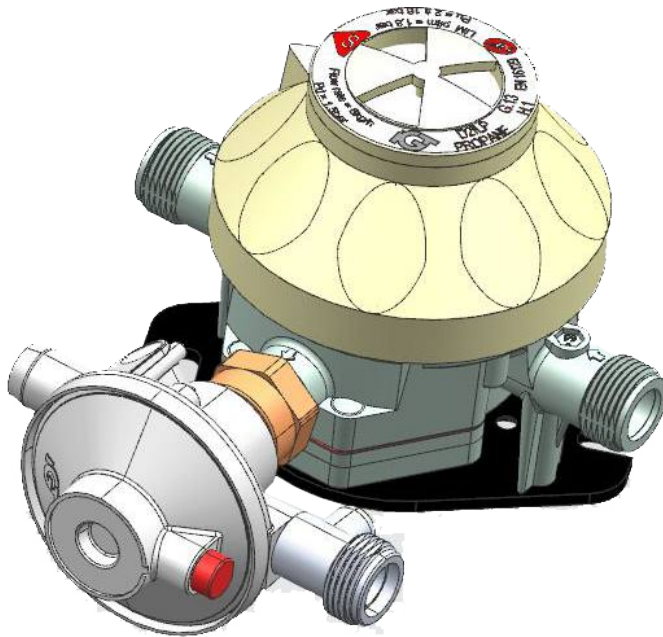
All LPG regulators come with a 5 year product warranty and \$ 5 million product liability insurance.

The factories have been audited and approved among others by international gas appliance companies and meet the high standards of these customer segments. Both factories are ISO9001 certified and in 2014 the NBSX factory was also BSCI certified ([www.bsci-int.org](http://www.bsci-int.org)), a social enterprise initiative aimed at ensuring compliance with the European Code of Conduct on Social Responsibility.

IGT aligns its production with the 17 United Nations Sustainable Development Goals to achieve a better and more sustainable future for all of us.



## 1.5 kg/h Caravan changeover applications.



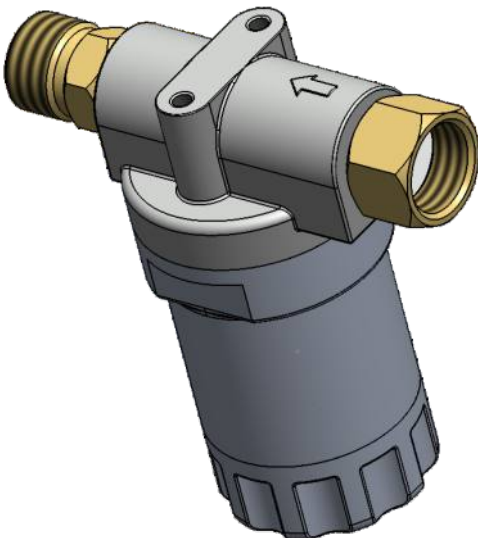
### Specifications

Approvals	CE/NF 16129/D
Inlet	M20x1,5mm
Outlet	8 or 10mm Compression fitting EN8434
Variants	Vertical or horizontal /pointing left or right
Test point	Yes
CSR	BSCI certified
Inbuilt	Crash sensor - Excess flow valve



The EN1949 Standard define Design Regulations for LPG installations in RV in EV. A.O it define the maximum gas flow of regulators to be 1.5 Kg/h.

## Double cup gas filter A900-F011



Reference	Outlet	Filter added	Pigtails	L mm	Mbar	Connection
C0150-001	RVS10	YES	S006-HP450-001	40	30	CLICK ON
C0150-002	RVS8-110	NO	S006-HP450-002	40	30	POL G10
C0150-003	RVS10	NO	S006-HP450-001	40	30	CLICK ON
C0150-004	RVS10	NO	NO	—	30	—

### Options:

**A900-V002:** Ball valve with test point

**A900-235:** 3/8" compression outlet fitting

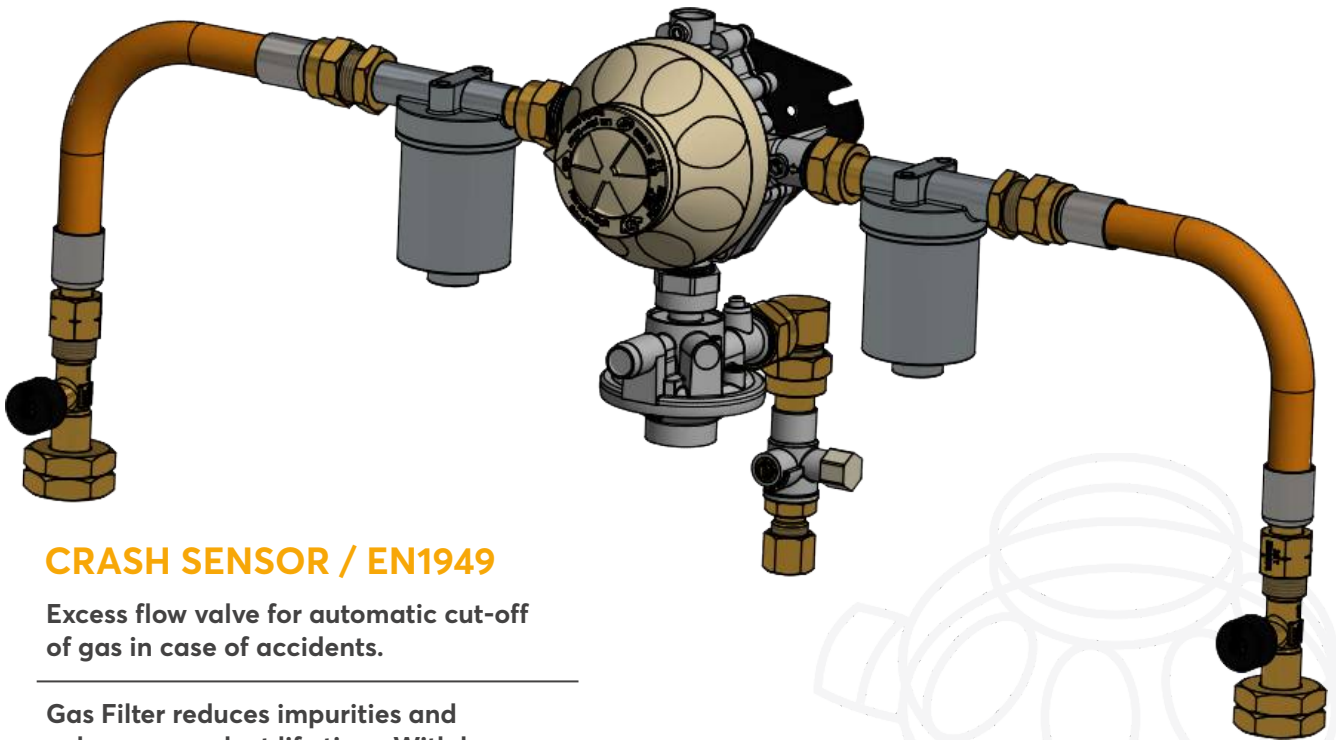
**A900-236:** RVS 8mm

**A900-237:** RVS 10mm

**A900-F011 :** Gas filter

Gas filters are recommended for RV-LPG installations to extend the lifetime and trouble free use. When used daily-oil-dirt and residues accumulate fast. The double cap filter design allows exchange of the cotton pad and drainage of oil- without depressurising of the RV gas systems.

**Complete caravan changeover kit 1.5 kg/h  
with proven quality & 10 years warranty  
EN1949 & EN16129/D compliant**



**CRASH SENSOR / EN1949**

Excess flow valve for automatic cut-off of gas in case of accidents.

Gas Filter reduces impurities and enhances product life time. With lower cup.

Exchangeable oil absorption cotton pad. by hand.

No gas purge of high pressure gas needed.

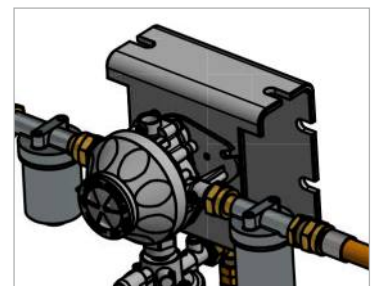
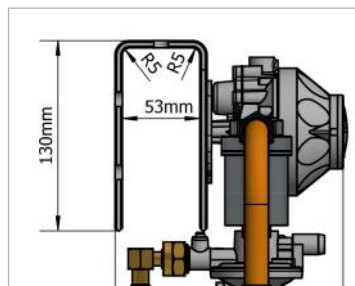
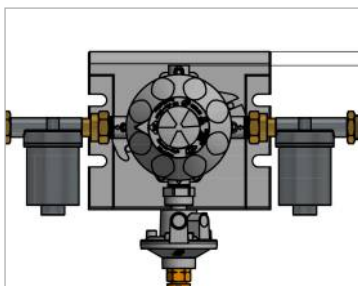
Inbuilt check valve closes off when lower cups unscrewed.

Pressure Relieve Valve 150mBar protects gas system against excess pressure.

10-year warranty for regulator excluding hose assembly.

Both the automatic change over and the second stage regulator have each been marketed for more than 10 years.

**Bracket for change over regulator**

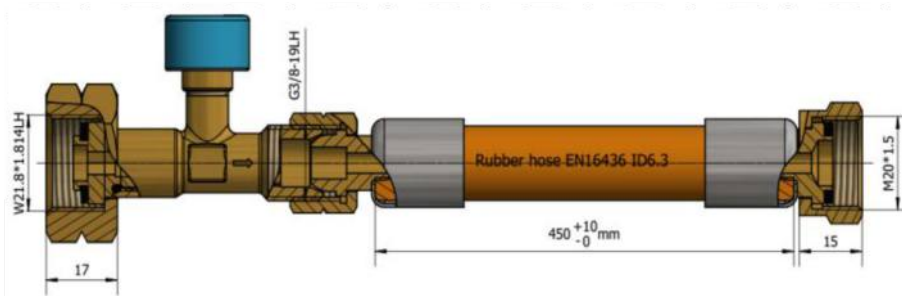


Reference A900-356

## 03 High Pressure Hoses

IGT Hose assembly is tested 100% gas tight by compressed air at 20bar. Rubber hose is recommended due to the longer durability, and fire resistance. It can last up to 10 years.

### Excess flow valve 4 bar - 6 kg/h - Brass Type A910



### Reference

Inlet	L = 400 mm	L = 450 mm	L = 750 mm
G8	S006 - HP - 400 - 001	S006 - HP - 450 - 001	S006 - HP - 750 - 001
G10	S006 - HP - 400 - 002	S006 - HP - 450 - 002	S006 - HP - 750 - 002
G5	S006 - HP - 400 - 003	S006 - HP - 450 - 003	S006 - HP - 750 - 003
G7	S006 - HP - 400 - 004	S006 - HP - 450 - 004	S006 - HP - 750 - 004
G1	S006 - HP - 400 - 005	S006 - HP - 450 - 005	S006 - HP - 750 - 005
G2R5	S006 - HP - 400 - 006	S006 - HP - 450 - 006	S006 - HP - 750 - 006
G12	S006 - HP - 400 - 008	S006 - HP - 450 - 008	S006 - HP - 750 - 008
G12			S006 - HP - 700 - 007

# 04

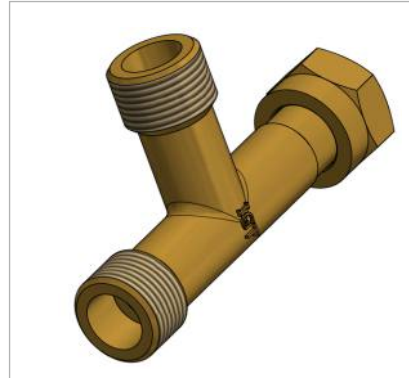
## Accessories for change over

Plug for change over inlet.



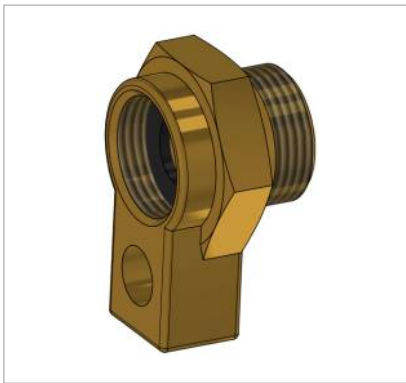
Nut entry M20x1,5  
Reference A900-019

T- connection for second cylinder attachment.



Nut entry M20x1,5  
Exits 2x mâles M20x1.5  
Reference A900-265-001

Adaptor for heating device connection



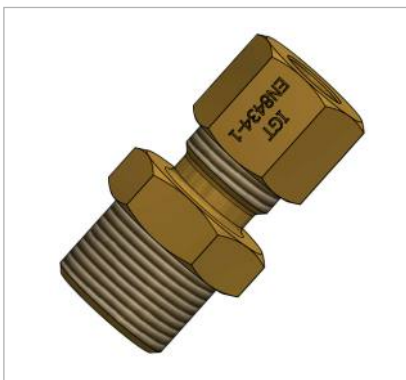
Nut entry M20x1,5  
Exits 2x mâles M20x1.5  
Reference A900-331

Extension set



Nut entry 10mm copper tube  
Exits nut M20x1,5  
Reference A900-011

Extension set



Nut entry 10mm copper tube  
Exits nut M20x1,5  
Reference A900-012

Extension set



Exits nut M20x1,5  
Reference A900-296

### Outlet Connection



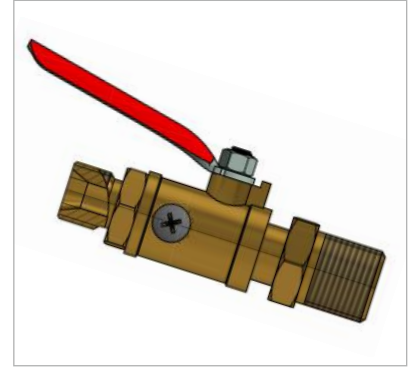
**Nut entry 8 mm compression fitting**  
**Exits G3/8 LH male**  
**Reference A900-364**

### Outlet Connection



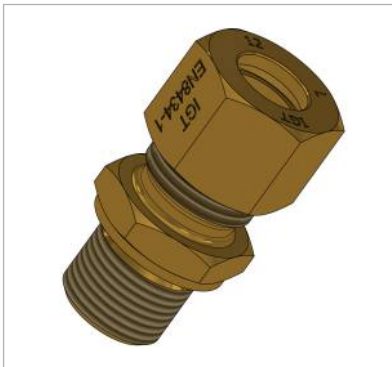
**Nut entry 10 mm compression fitting**  
**Exits G3/8 LH male**  
**Reference A900-365**

### Ball Valve



**Reference A900-V003**

### Outlet Connection



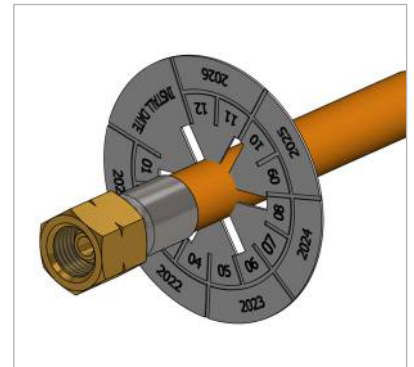
**Nut entry 12 mm compression fitting**  
**Exits G3/8 LH male**  
**Reference A900-366**

### Outlet Connection



**Nut entry 8 mm compression fitting**  
**Exits G1/4-19LH female**  
**Reference A900-236**

### Hose Label



**label year & month**  
**Reference A900-008**

### Outlet Connection



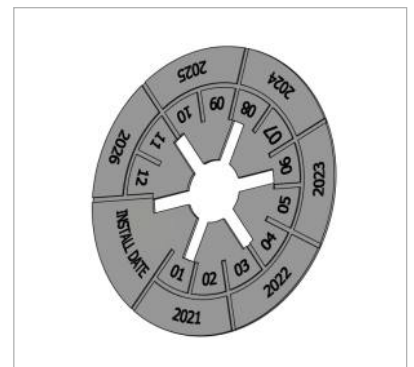
**Nut entry 10 mm compression fitting**  
**Exits G1/4LH female**  
**Reference A900-237**

### Outlet Connection



**Nut entry G3/8" compression fitting**  
**Exits G1/4LH female**  
**Reference A900-235**

### Hose Label

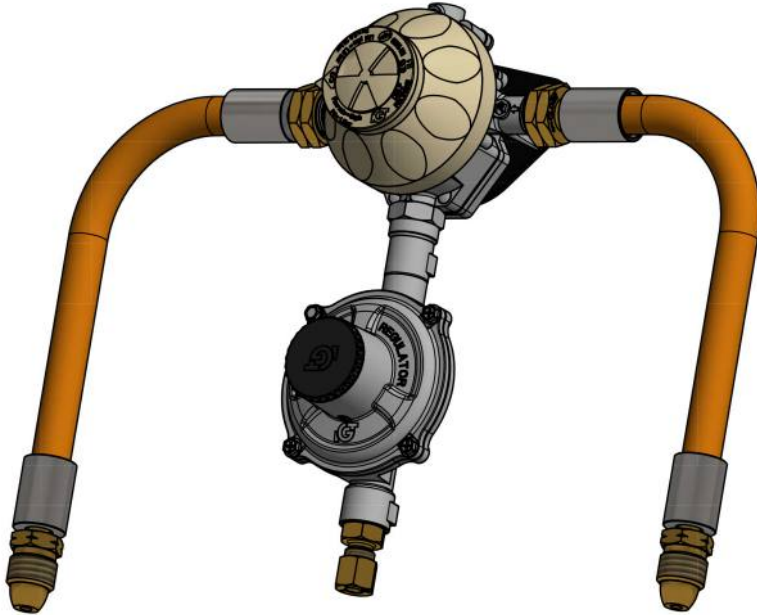


**label year & month**  
**Reference A900-008**



05

4 kg/h change over for Leisure & Professional applications.



Specifications

Approvals	CE/NF 16129/D
Inlet	M20x1,5mm
Outlet	8 or 10mm Compression fitting EN8434
Variants	Vertical only
Test point	Yes, Optional A900 - V003
CSR	BSCI certified
Option	Remote shutoff by solenoid valve

Reference	Outlet	Fittings added	Pigtails	L mm	Mbar
C0510-001	RVS 8mm	—	S008-HP-052	500	30
C0510-002	RVS 8mm	—	S008-HP-450 -002	450	30
C0510-003	3/8" FBSP	A900-364 A900-366	S008-HP-105	1000	30
C0510-004	3/8" FBSP	—	—	—	30

Options:

A900 - V003 Ball valve with test point

A900 - 235 3/8" compression outlet fittings

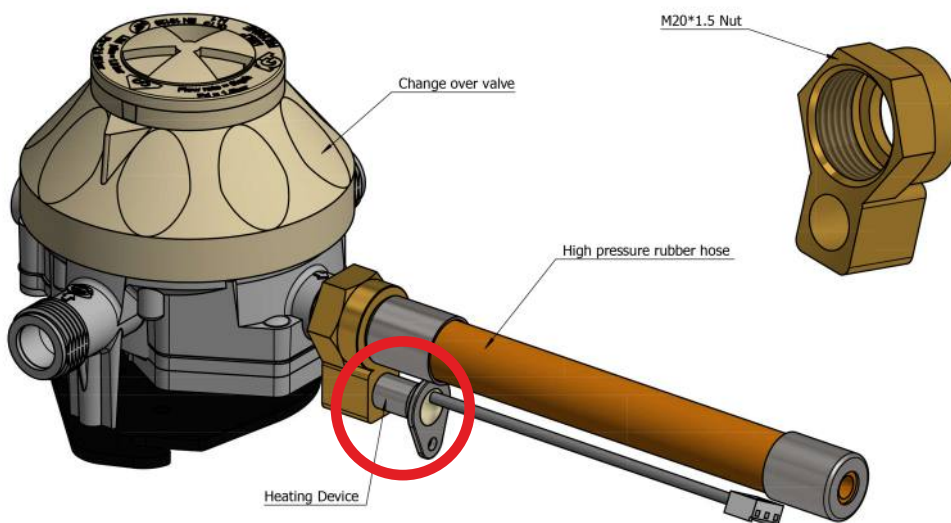
A900 - 236 RVS 8mm

A900 - 237 RVS 10mm

**Outlet Pressure:** Optional 50mbar - 67mbar

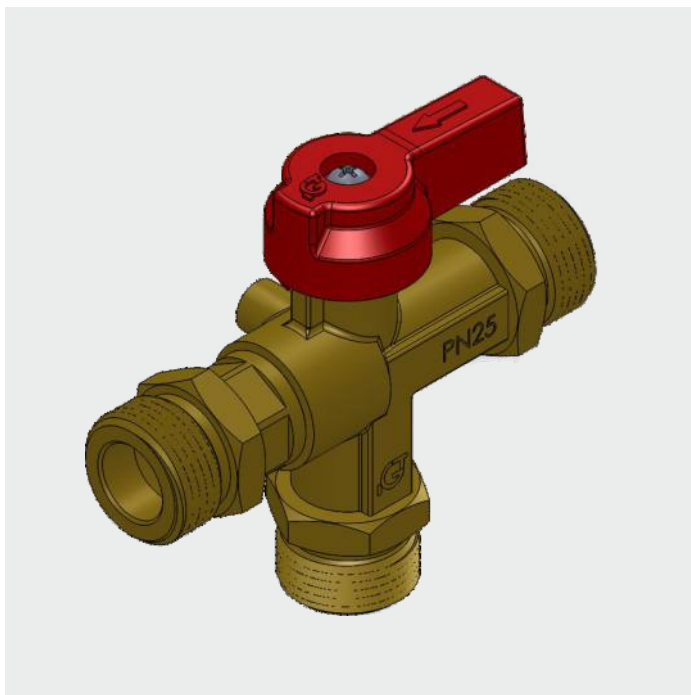
**Gas Filter:** A900 - F004

Gas solenoid valve for remote shut off. H900-007

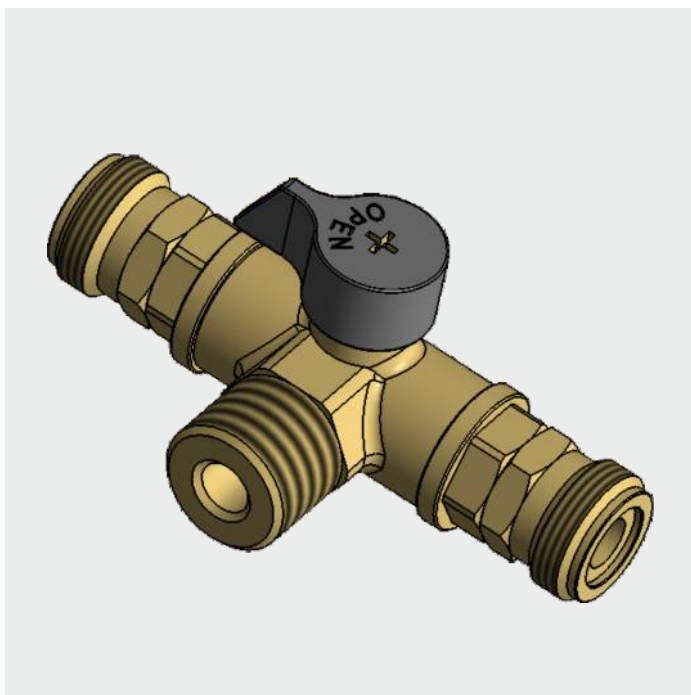
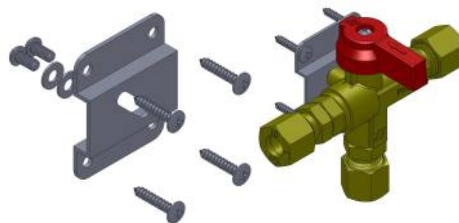


# 06

## Manual change over Valves

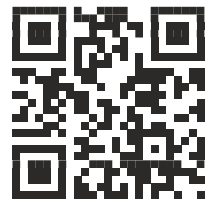


Reference	Inlet	Outlet
A900-V004	RVS 8mm	RVS 8mm
A900-V005	RVS 10mm	RVS 10mm
A900-V006	G4-W21,8	G4-W21,8
A900-V007	M20x1,5	M20x1,5
A900-V999	Wall Bracket	



Reference	Inlet	Outlet
A900-V009	M20 x 1,5	M20 x 1,5





[WWW.IGT-LPG.COM](http://WWW.IGT-LPG.COM)



**Integrated Gas  
Technologies**

**Denmark**

**HEAD OFFICE IN DENMARK  
INTEGRATED GAS TECHNOLOGIES**  
Gydevang 39-41 DK-3450 Allerød Denmark  
Tel: 0045-4576 9921 | Fax: 0045-4576 9821  
E: [sales@igt-lpg.com](mailto:sales@igt-lpg.com) | W: [www.igt-lpg.com](http://www.igt-lpg.com)

**FACTORY IN CHINA  
NINGBO SHUAI XIAN REGULATOR CO. LTD**  
No 566, Jinshan Road, Zone C, Investment center  
Jiangbei District, Ningbo Zhejiang, China  
E: [sales@igt-lpg.com](mailto:sales@igt-lpg.com) | W: [www.igt-lpg.com](http://www.igt-lpg.com)

**FACTORY IN INDIA  
INTEGRATED GAS CONTROLS TECHNOLOGIES PVT. LTD**  
Survey No.784, 14-59/3A,  
Medchal Village, Near Ravalkole  
"X" Road, Medchal Mandal  
& Medchal - Makajgirī District.  
E: [info@igt-lpg.in](mailto:info@igt-lpg.in) | W: [www.igt-lpg.in](http://www.igt-lpg.in)

**40+**  
MILLION  
SAFE FAMILIES

**120+**  
COUNTRIES

**400+**  
PRODUCTS

**25+**  
CERTIFICATES